

TECHNICAL SHEET

SHOW "VENTANAS" ("WINDOWS")

STAGE

- Minimum stage width 6 m. Optimum 9 m.
- Minimum stage depth 4.5 m. Optimum 7 m.
- Minimum stage height 2.5 m. Optimum 5 m.
- White floor (provided by the company)
- Dark room on the Italian theatre model with at least 4 legs and 2 drop scenes

LIGHTING

- 27 Kw power minimum, optimal 40 Kw.
- Connection type: 220 v. or 380 v. + ground connection.
- Number of channels: Optimum: 24 DMX channels. Minimum 12 DMX channels.
- Structures: 3 light bars on stage + front and 3 street structures.
- Optimal device ratio: 4 cuts, 7 PAR (cp62) and 1Kw 9 PCs.
- The company provides 4 LEDs with 3 pin DMX input placed on stage.
- 3 dim circuits and 3 circuits direct to the stage floor are required.

SOUND

- Equipment power: 600 W minimum, 1000 W optimal.
- PA: Full stereo audio system with power adapted to the dimensions of the room and audience capacity.
- Monitors: 2 foldback monitors on stage.
- Mixer.
- Stereo audio cable with minijack output.
- Reproduction device: 1 MacBook Pro (provided by the company).

VIDEO

- The company provides two projectors that will be placed on stage.
- Two video patch shots from stage to cabin are required.

STAGE BUILDING REQUIREMENTS

Unloading	Time	30 minutes approx.
	Requirements:	2 people.
Stage construction	Space with equipment	4 hours.
	Space without equipment	5 hours.
	Requirements	1 electrician and 1 driver
Duration of the show	Time	40 minutes.
Disassembly	Time	1 hour.
	Requirements	1 electrician
Load	Time	30 minutes approx.
	Requirements	2 people.

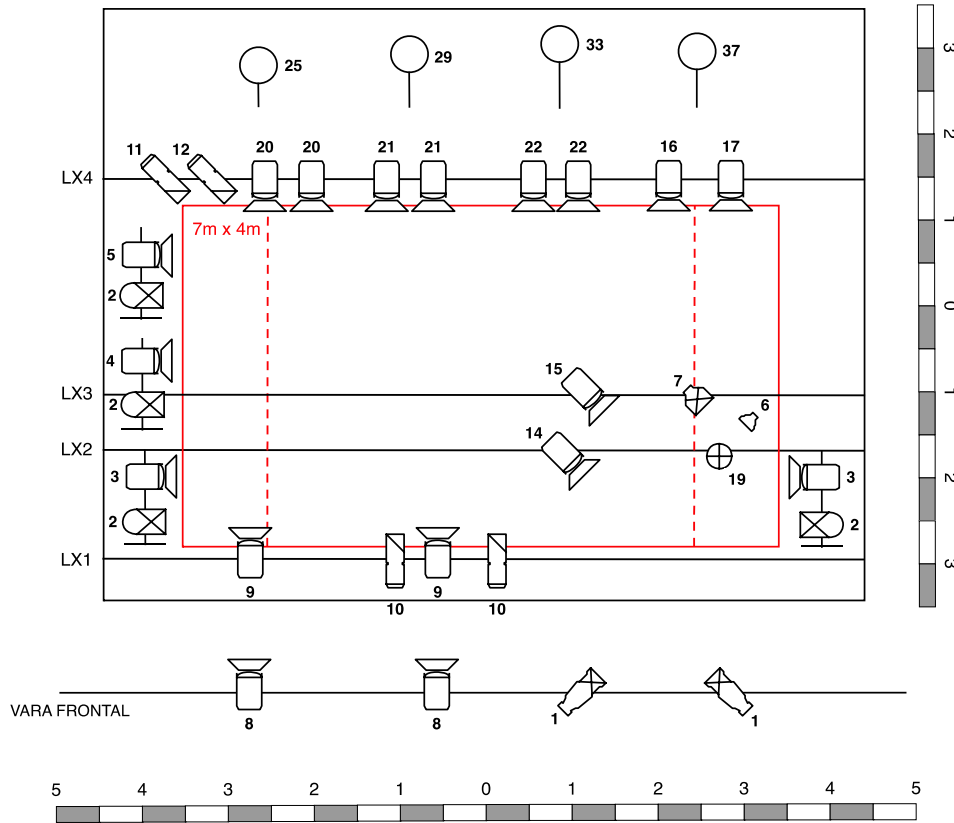
RISK EVALUATION

- Scenography materials: PVC, wood and plexiglass panels.
- Structure: rounded shapes, easy to transport and assemble, without sharp, pointed or flammable parts.

OTHER PERFORMANCE NEEDS

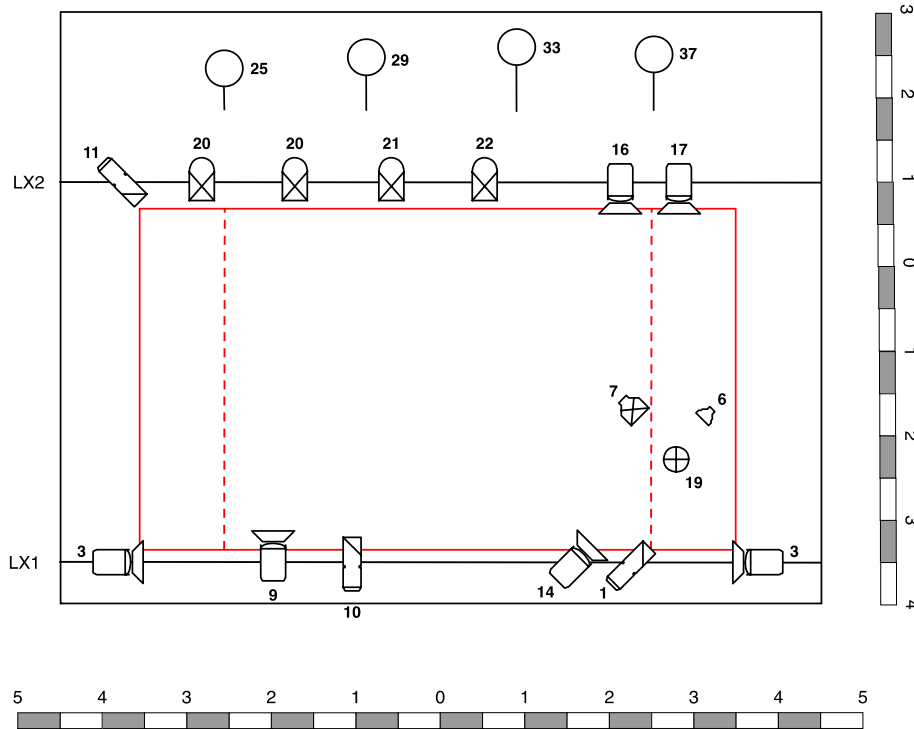
- Total darkness and dark room.
- Two dressing rooms with showers.
- Parking for a van.

PLANS AND MAPS



VENTANAS
 TEATRO PARAÍSO
 Diseño - Jesús Nieto
 PLANO A

- Recorte 15°/30° - 2
- Recorte 25°/50° - 4
- PC 1KW - 18
- PAR 64 - cp62 - 4
- Viseras PC - 18
- LED pecera (aporta la cía)
- Flexo (aporta la cía)
- Tomasito (aporta la cía)
- Yaniro (aporta la cía)



VENTANAS
 TEATRO PARAÍSO
 Diseño - Jesús Nieto
 PLANO B

- Recorte 25°/50° - 3
- PC 1KW - 6
- PAR 64 - cp62 - 4
- viseras PC - 6
- LED pecera (aporta la cía)
- Flexo (aporta la cía)
- Tomasito (aporta la cía)
- Yaniro (aporta la cía)

